

MagReTech,

25 lb. Interlock Ingot (11.3 kg) for AZ91d, AM50a, AM60b

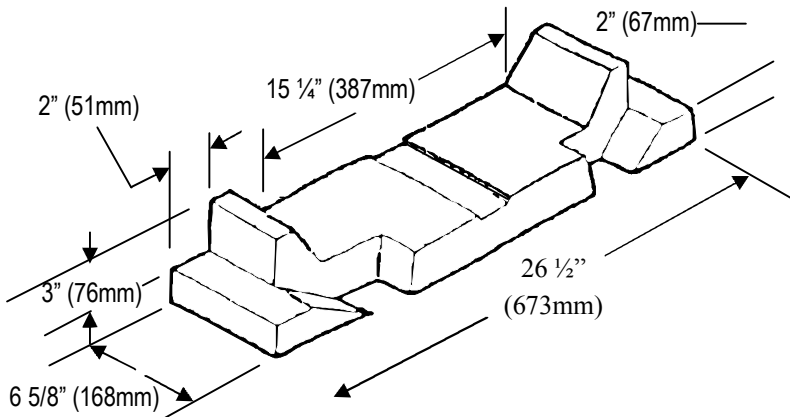
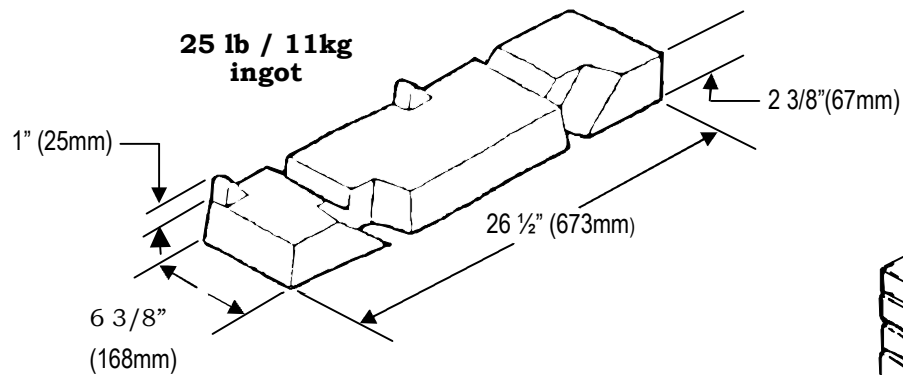
INGOT COUNT:

56 INGOTS
4 LEG INGOTS

APPROX. PACKAGE DIMENSIONS

26 1/2" x 26 1/2" x 45 1/2" high
(673mm x 673mm x 1156mm high)

Package weight:
1500 LB / 680 KG
± 75 lbs. / 165 kg



Leg ingot
25 lb / 11 kg.

